

Fixed Electrical Downtilt Stadium MIMO Antenna

Specifications :

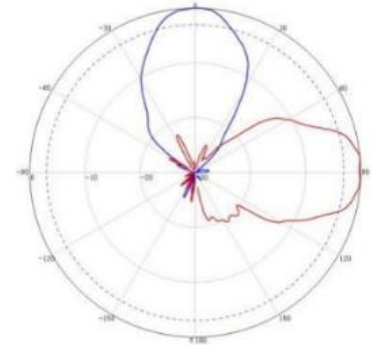
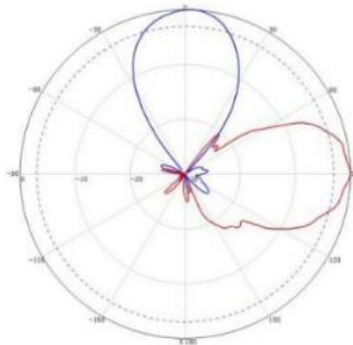
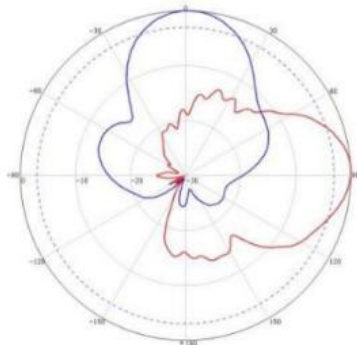
Part No.	6508800102	
Port	Port *2	Port *4
Frequency range (MHz)	698-960 & 1710-2690	2500-3800
Polarization	±45°	
Gain(dBi)	13±1	13±1
Electrical Downtilt (°)	0	
Horizontal beam width (°)	33±10	33±10
Vertical beam width (°)	30±10	30±10
1st Uppersidlobe suppression(dB)	≥15	≥15
Front-to-back ratio (dB)	≥22	≥22
Cross-polar discrimination (dB)	≥15	
Isolation (dB)	≥25	≥25
Impedance (Ω)	50	
VSWR	≤1.5	
Intermodulation-IM3 (2×43dBm carrier)	≤-150dBc	
Maximum power (W)	100	
Ground protection	DC Grounding	

Product Information:

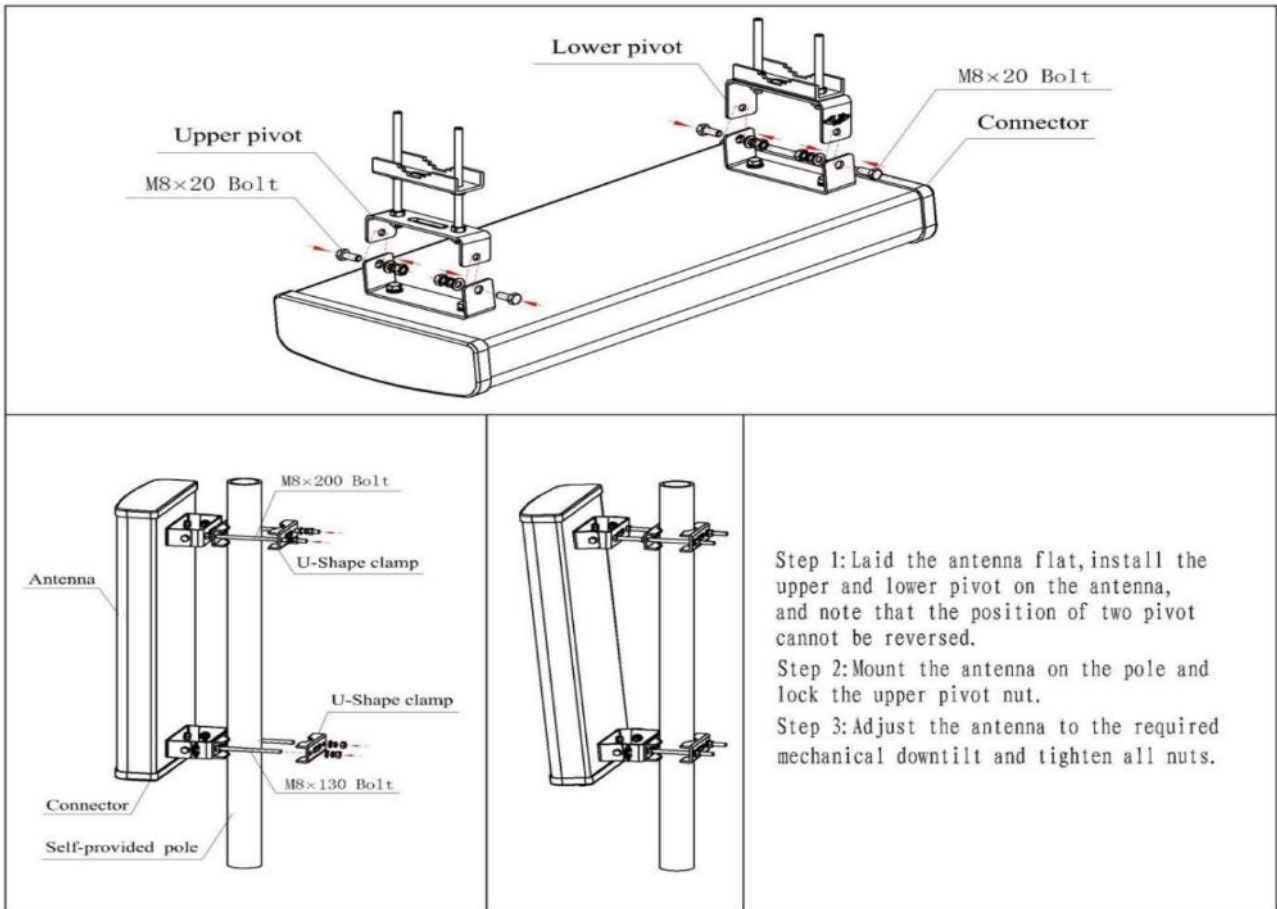
698-960MHz: ±45° Pol.

1710-2690MHz: ±45° Pol.

2500-3800MHz: ±45° Pol.



Installation Sketch



Product Image:

